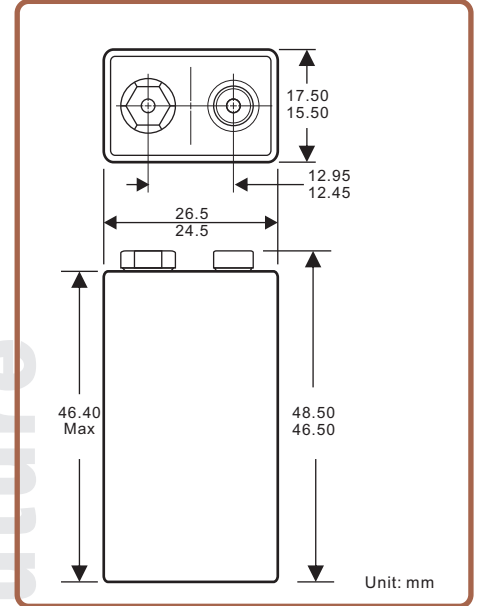


9V(6F22)

General Features

► Designation	IEC-6F22 JIS-S006P ANSI-1604A Others-9V,MN1604,216
► Chemical System	Zinc-Manganese Dioxide(Zn/MnO ₂) ※No Mercury and Cadmium added
► Nominal Voltage	9.0V
► Weight	Approx.36.0g
► Terminal	Miniature snap
► Storage Temperature Range	-10°C~35°C
► Operating Temperature Range	-10°C~45°C
► Jacket	Metal (Color: red & yellow)
► Shelf Life	3 years(20°C, 80% of rated capacity)
► Standards	IEC60086 2006/66/EC GB8897



Electrical Characteristics

CONDITION	OCV (V)	CCV (V)	SCC (A)
Fresh Battery	9.60	9.30	--
After 3 mths	9.40	9.10	--
After 12 mths	9.40	9.10	--

Test Conditions: Load resistance:620Ω±0.5%; Measuring time:0.3S; Temperature:20±2°C.

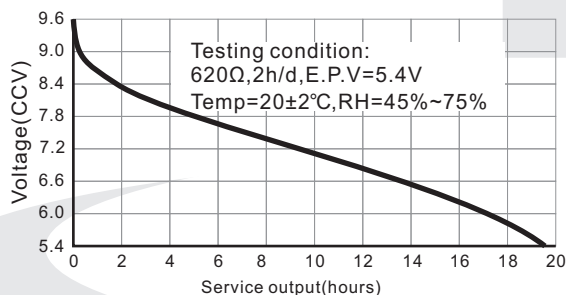
Discharge Characteristics: (20±2°C,RH:45%~75%)

Standard	Discharge Condition				Average Discharge Time		
	Appliances	Discharge Load	Discharge Time	End Voltage	Fresh Battery	After 12mths	After 36mths
IEC	Radio	620Ω	2h/d	5.4V	19.5h	17.5h	16.5h
IEC	Electric toy	270Ω	1h/d	5.4V	7.5h	6.0h	5.5h
REF	--	180Ω	0.5h/d	4.8V	6.2h	5.7h	5.2h
REF	--	180Ω	24h/d	4.8V	210min	185min	170min
REF	--	620Ω	24h/d	5.4V	15h	13h	10h

Security Characteristics: (20±2°C,RH:45%~75%)

NO	Test Item	Test Method	Sample QTY.	Standard
1	Over discharge-leakage-proof test	10±2°C,RH=60±15%;620Ω discharge to 0.6V,2 h/d	9pcs	No leakage
2	Over discharge-leakage-proof test	10±2°C,RH=60±15%;270Ω discharge to 0.6V,1 h/d	9pcs	No leakage
3	High temperature-leakage-proof test	Store for 28 bays under 60±2°C and RH:90±5%; then store for 4~24 hours under 20±2°C and RH: 60±15%	20pcs	No leakage
4	External short-circuit	20±2°C,RH60±15%;keep the battery external short-circuit for 24hours under the specified conditions	10pcs	No explosion

Constant Resistance Performance



Constant Resistance Performance

